

VerticalAL

FORMWORK



PRODUCTIVITY | MODULARITY | ALUMINIUM | STURDINESS

VERTICAL ALUMINIUM
FORMWORK

Alphi
Formwork and solutions



VerticAL

The VerticAL formwork panel system is designed for the building of stringers, substructures, industrial and agricultural buildings.

Reliable and robust, the system can reduce assembly times on building sites, as well as production costs.

The vertical or horizontal panel installation **increases the versatility** of the VerticAL formwork.

PRODUCTIVITY

- Hand-portable formwork with reinforced aluminium chassis and 15 mm shuttering (plywood or Alkus®).
- Lightweight panels convenient to use: average weight 22.50 kg/m².
- Very fast installation.
- Accessories, safety devices, angle brackets, shoring to suit all sites.
- Vertical reinforcements for lifting in total safety.



MODULARITY

- Increased versatility: panels fitted on top of each other, vertical or horizontal installation.
- Panels can be offset thanks to peripheral profile.
- Ideal for sites with tricky access.

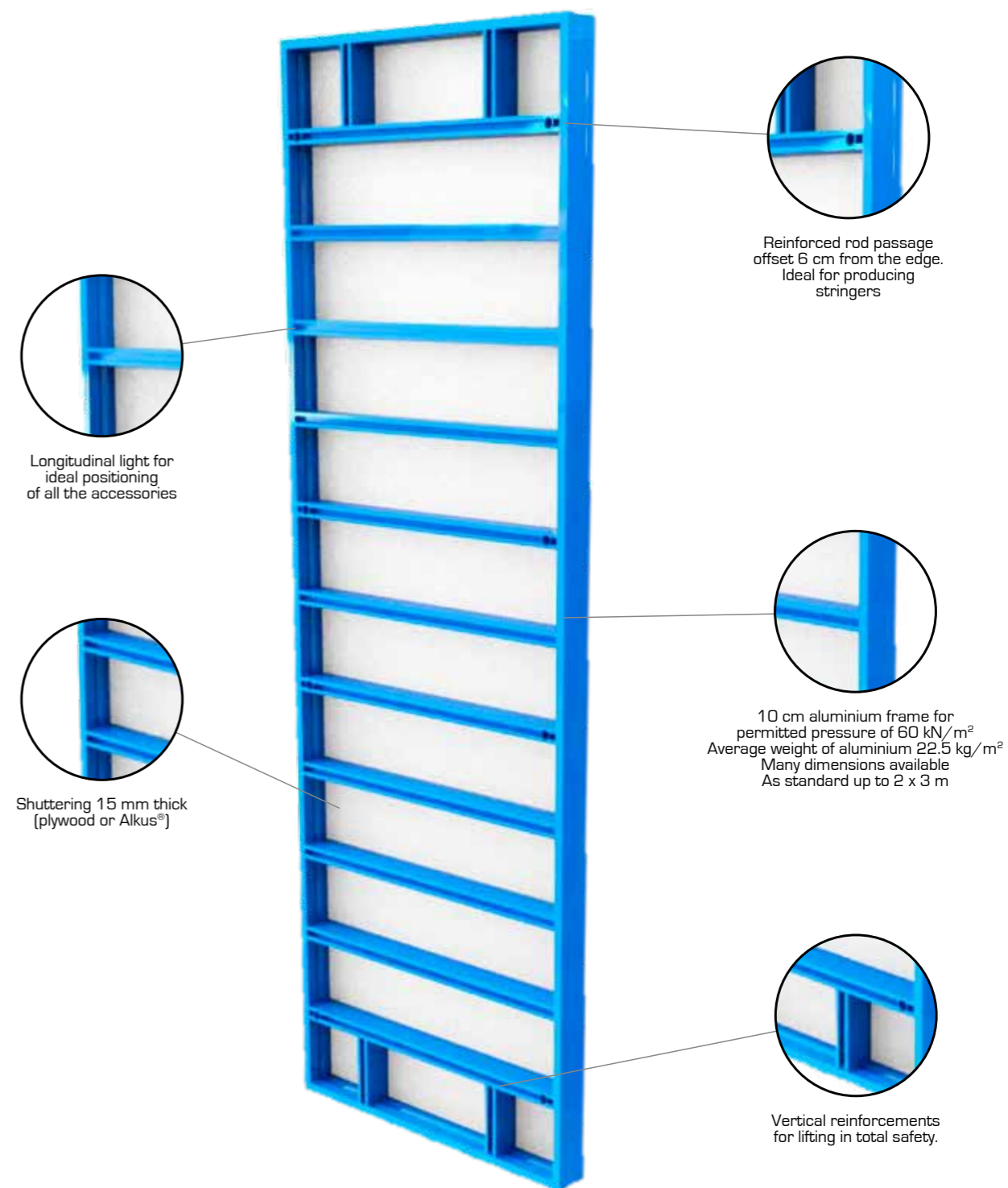


QUALITY

- Production quality is guaranteed by a fully-automated chain.
- From cutting out frames to installing the shuttering, robots can prevent any non-compliance.

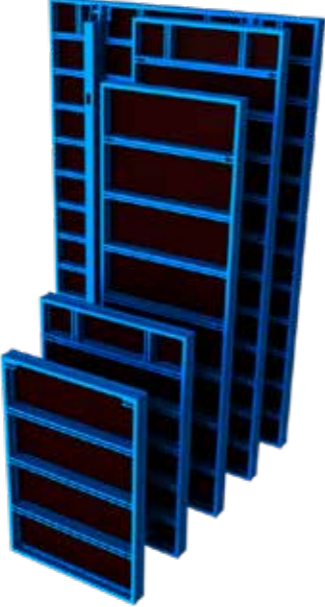


TECHNICAL CHARACTERISTICS



COMPONENTS






VERTICAL ALUMINIUM panels



Cat. No.	Width (m)	Height (m)	Unit weight (kg)
100297	0.25	1.5	11.2
104935*	0.25	2.7	19.1
100299	0.25	3	22
104647*	0.3	2.7	20.1
104694*	0.45	2.7	27
100301	0.5	1.5	18.4
104644*	0.5	2.7	30.5
100303	0.5	3	35.2
104641*	0.6	2.7	33.2
100305	0.75	1.5	24.8
104726*	0.75	2.7	41
100307	0.75	3	47.7
104611*	0.9	2.7	48.2
100309	1	1.5	32
100311	1	3	60.8

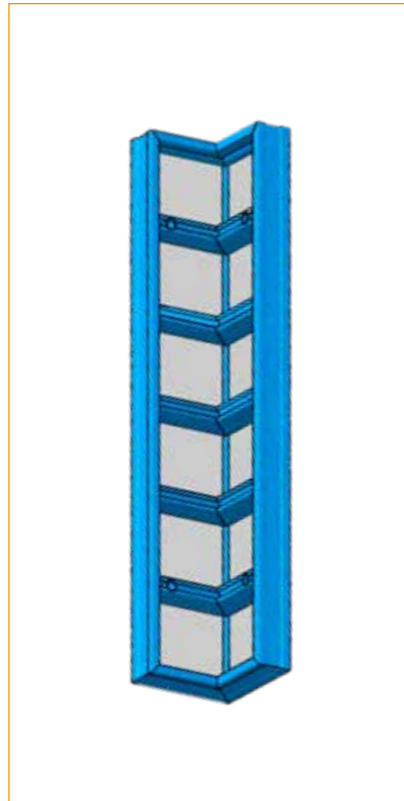
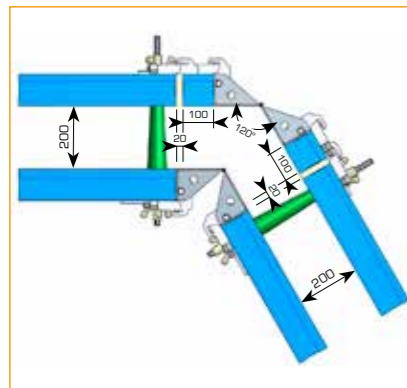
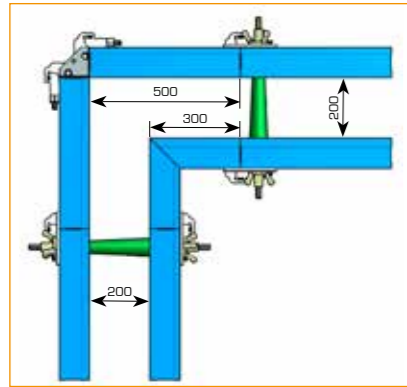
*For sale only.
Other dimensions available on request.

VERTICAL ACCESSORIES

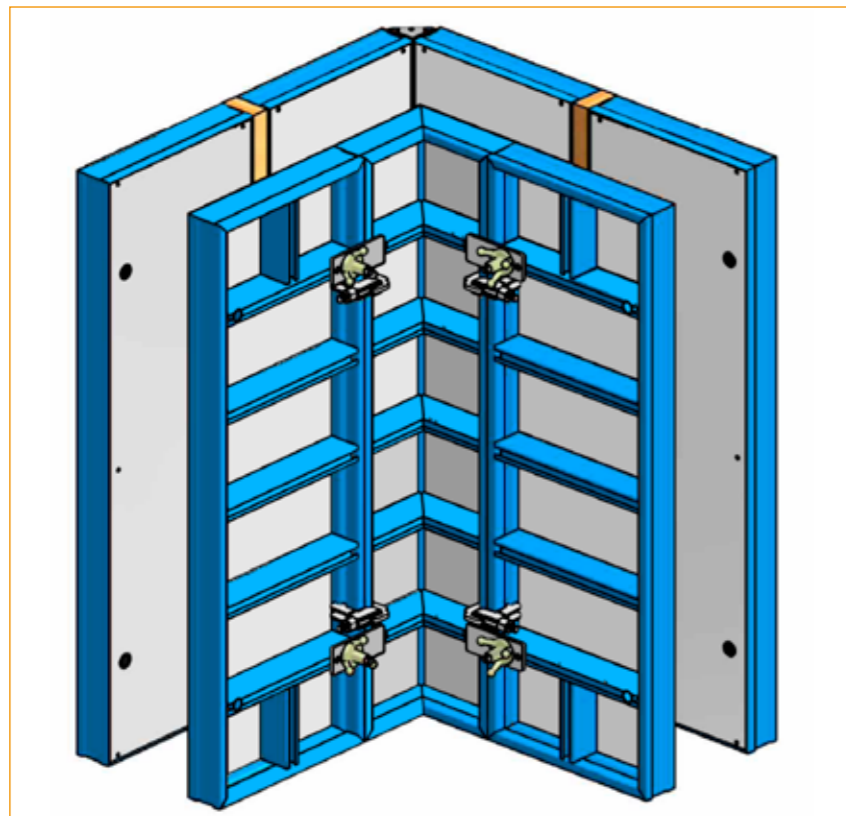
	Assembly clamp (lock nut)	Cat. No.	Unit weight (kg)	Description	
Clamps		208236	1	<ul style="list-style-type: none"> The tightening assembly clamps mean fast, effective panel assembly. Key tightening allows to add 2 cm compensation, avoids misplaced hammer blows on the frames and reduces noise pollution. 	
	Assembly tap-in clamp	Cat. No.	Unit weight (kg)	Description	
		207852	1.2	<ul style="list-style-type: none"> The traditional tap-in alternative is available. 	
Safety bracket		Cat. No.	Unit weight (kg)	Description	
Safety		209212	10.5	<ul style="list-style-type: none"> Safety brackets can be assembled inside the reinforcements using hammer head screws. 	
	Prop socket		Cat. No.	Unit weight (kg)	Description
Prop sockets		101111	1.5	<ul style="list-style-type: none"> Equipped prop socket 	
		103827	1.8	<ul style="list-style-type: none"> S/E hinged prop socket (without pin) 	
Additional metal sheet		Cat. No.	Dimensions W x L (cm)	Unit weight (kg)	Description
Additional metal sheets		104363	0.2 x 3	33.4	<ul style="list-style-type: none"> The additional metal sheet prevents having to cut wooden compensations at every need. It can adjust to a millimetre and is ideal for sites with precise dimensional constraints.
		104680	0.2 x 2.7	30	
		102118	0.2 x 1.5	16.7	

OTHER COMPONENTS

ANGLE BRACKETS



- The fixed or variable angle brackets meet all site configurations.
- Available in several dimensions.



OTHER COMPONENTS

POST FORMWORK



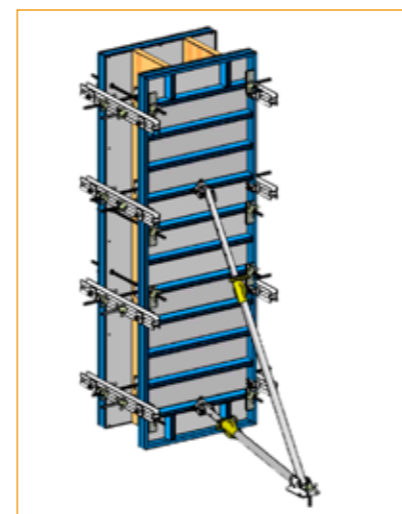
Multi-hole panels
This panel produces your posts simply and effectively from 15 x 15 cm up to 60 x 60 cm, thanks to its built-in rod passages in the frame at 5 cm intervals.



Windmill sail clamps
Windmill sails clamps are used to produce square or rectangular posts with standard panels.

Steel formwork tool

- To produce square or rectangular posts.
- Sections adjusted to the millimetre.
- 5 mm steel shuttering sheet.
- Optional safety device.
- 3 m, 1.5 m and 0.75 m modules, can be fitted on top of each other.
- Sections 200 to 600 mm, adjustable to the millimetre.

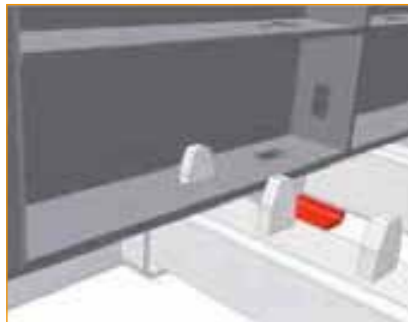


Wall stops

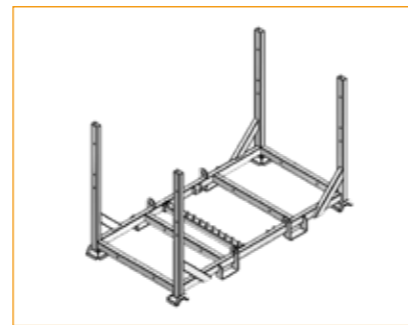
The most cost-saving solution for creating pillars. It uses two bits of plywood in addition to your standard panels and your adjustable wall stops.

End gap reglet	Cat. No.	Length (m)	Unit weight (kg)
			104652
	103999	0.6	9

TRANSPORT AND STORAGE



- VerticAL panels have a range of appropriate baskets to facilitate their storage and transport to the site.
- The positioning lugs can store twelve panels horizontally. The holding bar, compatible with the built-in locks, keeps the panels perfectly positioned during transport.
- The panels can be stacked and are fitted with lifting rings and fork slots to facilitate handling with any type of lifting equipment.



Basket juxtaposition

- The maximum width of two baskets juxtaposed is 2.02 m.
- Ideal for loading onto a flatbed lorry.



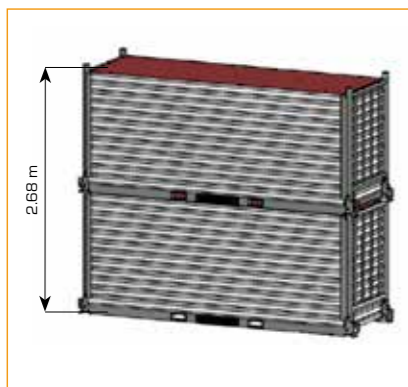
Holding panels

- Adapted to the panel dimensions, the basket holds them perfectly.





Lifting

- Baskets can be lifted and transported with a crane and also a forklift thanks to the fork slots provided for this purpose.



STORAGE ACCESSORIES

Storage	Rack	Cat. No.	Dimensions W x L x H (m)	Unit weight (kg)	Description
		200680	0.7 x 1.545 x 0.475	79	<ul style="list-style-type: none"> Stackable container with built-in lifting rings Rating plate can be customised with customer's name Partitions for storing all the accessories (MWL 1 500 kg) Optional protective cover
Storage	Rack	Cat. No.	Dimensions W x L (cm)	Unit weight (kg)	Description
		205767	1 x 1.5	106.8	<ul style="list-style-type: none"> Can be handled with a crane (sockets for slings) or a forklift End partitions removable for easy cleaning Rating plate with customer's name
		206008	1 x 2.7	118.1	
	205766	1 x 3	126.7		

VERTICAL ALUMINIUM FORMWORK



VerticAL modular and robust aluminium formwork panels for all geometric combinations.

Savoie Hexapole, Actipole 5 - Rue Maurice Herzog
73420 Viviers-du-Lac
FRANCE

Tel. +33 (0)4 79 61 85 90 - Fax +33 (0)4 79 61 85 99 - info@alphi.fr
Design Office: Tel. +33 (0)4 79 61 85 91 - be@alphi.fr
Logistics Department: Tel. +33 (0)4 79 61 85 92